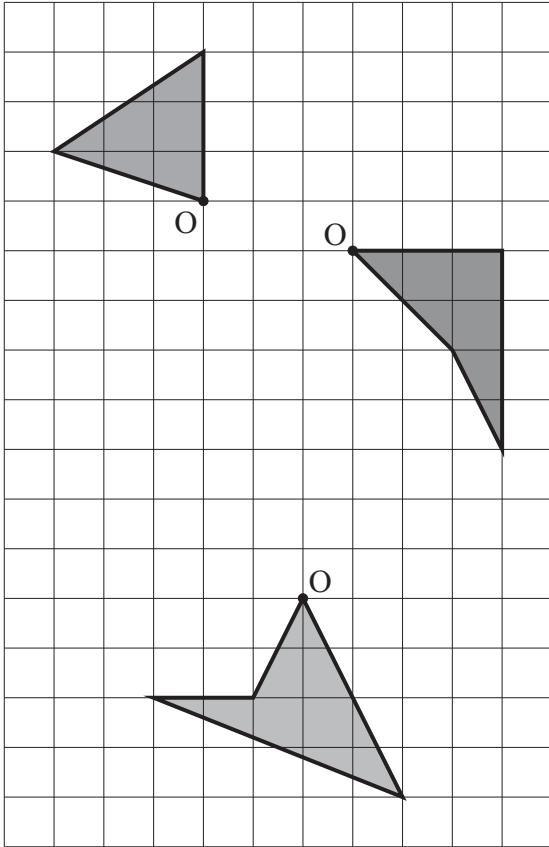
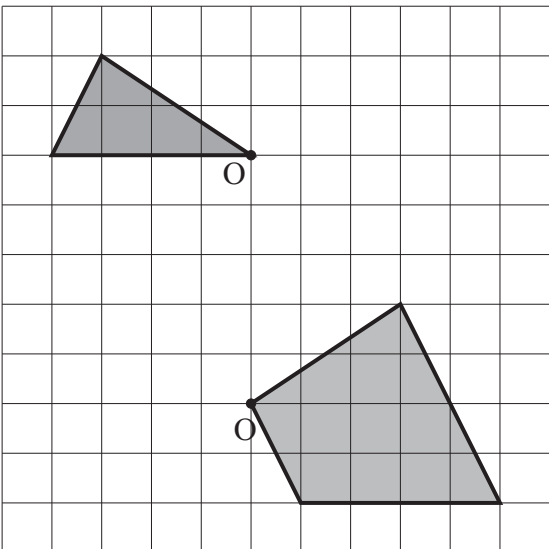


Name: _____

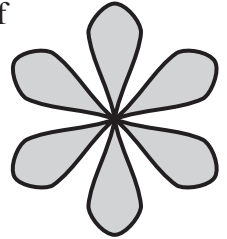
1. Redraw the following shapes after they have been rotated 90° *clockwise* about O.



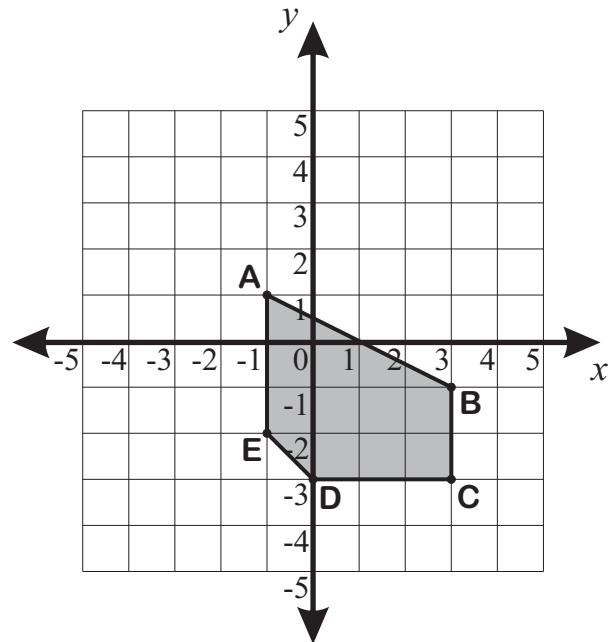
2. Redraw the following shapes after they have been rotated 180° *clockwise* about O.



3. What is the *minimum* angle of *clockwise* rotation for this shape to appear the same?



4. For the shape shown on this Cartesian plane answer the questions below.



- (a) List the coordinates of the vertices of the shape.

A = (,) **B** = (,)

C = (,) **D** = (,)

E = (,)

- (b) Draw the shape after it has been rotated 90° *anticlockwise* about **A**.

- (c) List the coordinates of the vertices of this rotated shape.

A' = (,) **B'** = (,)

C' = (,) **D'** = (,)

E' = (,)