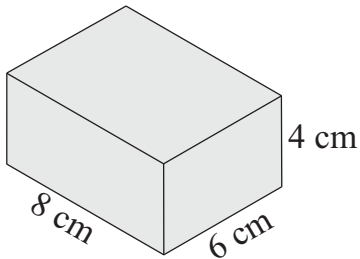


Name: _____

1. Calculate the volume of this object.


 cm³

2. Complete the following conversions.

(a) 2 litres = cm³

(b) 5 m³ = litres

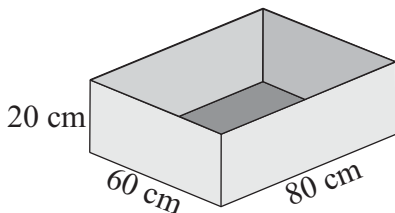
(c) 6000 cm³ = litres

(d) 700 litres = m³

(e) 3400 cm³ = litres

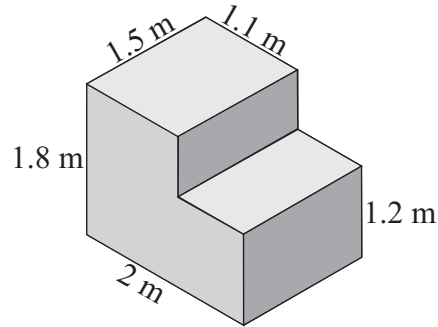
(f) 0.21 m³ = litres

3. How many litres of water would it take to fill the container below?


 litres

4. How many 250 mL glasses could be filled from a 3 L container of juice?

5. Find the volume of this object.
Give answer in m³ and litres (L).


 m³
 L

6. Top soil is to be laid over a sporting ground. The sporting ground is rectangular in shape and is 100 metres long and 40 metres wide. The top soil is to be 10 cm deep.
(a) How many cubic metres (m³) of top soil is required?

 m³

(b) If the top soil cost \$25 per cubic metre, find the total cost.

7. A teaspoon holds about 5 cm³ of liquid. Dudley needs to take 30 mL of medicine. How many teaspoons is this?