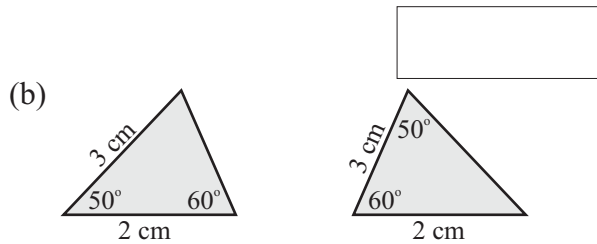


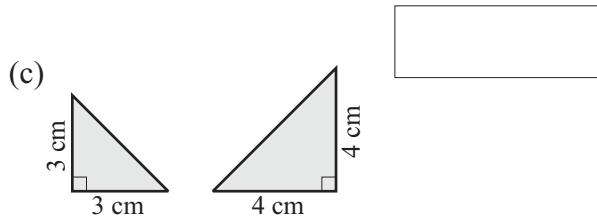
Name:

1. State whether the following statements are true or false.

(a) For two triangles to be similar all the angles in one must be the same as all the angles in the other.

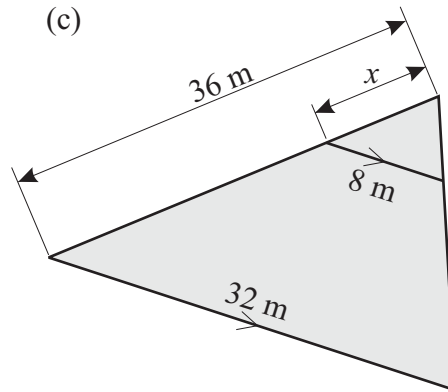
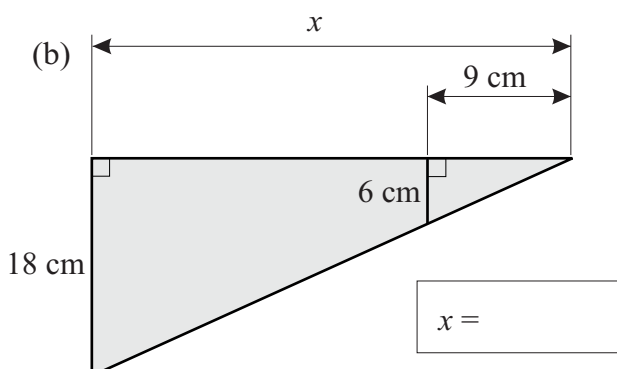
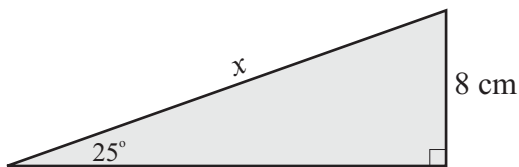
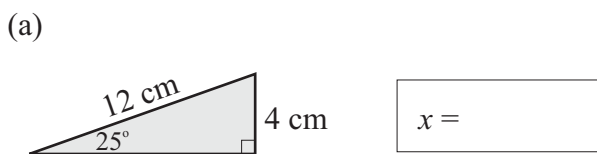


These two triangles are congruent.



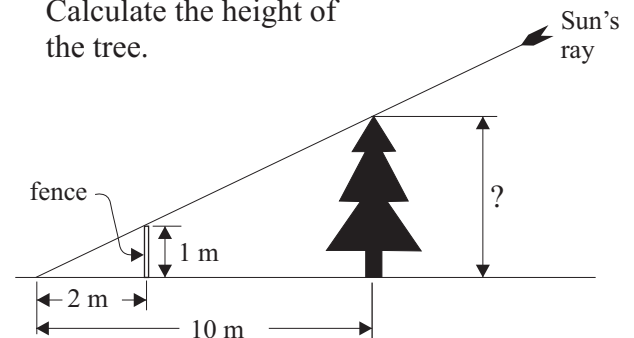
These two triangles are similar.

2. Find the value of x in the following pairs of triangles.



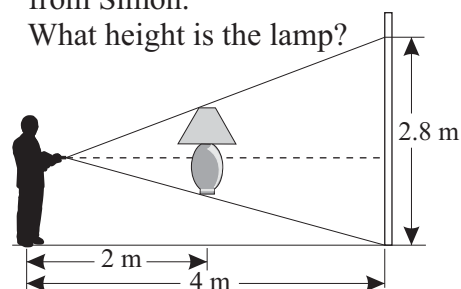
$x =$

3. The Sun casts a shadow of a tree and a fence as shown in the diagram below. Calculate the height of the tree.



Height of tree = metres

4. The diagram shows Simon shining a torch at a table lamp and onto a wall. The lamp is 2 metres from Simon. The shadow of the lamp on the wall is 2.8 metres high and the wall is 4 metres from Simon. What height is the lamp?



metres